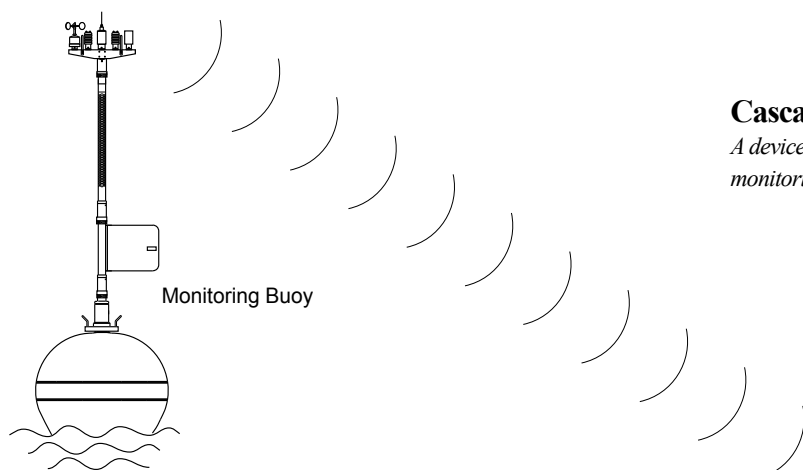


# Cascade Coupler 3596

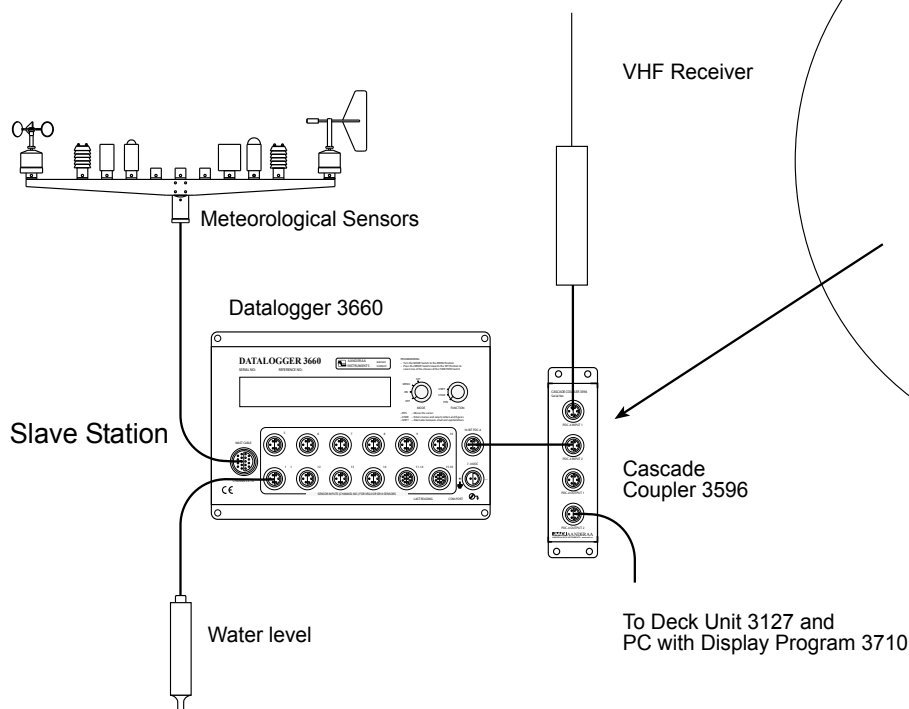
D341 - April 2010



## Cascade Coupler 3596

*A device for combining the PDC-4 output signals from two monitoring stations*

Master Station



The Cascade Coupler makes it possible to combine the PDC-4 output signals from two environmental stations (AWS, CMB, RWS, or a combination of a station and a RCM 9/11, RDCP, WTR 9 or DCM 12) and send data over the same line as one message.

The sampling interval is determined by the master station connected to the "PDC-4 input 1".

The slave station, connected to "PDC-4 input 2", is given a remote start from the Cascade Coupler when it receives the PDC-4 synch. Pulse from the master station.

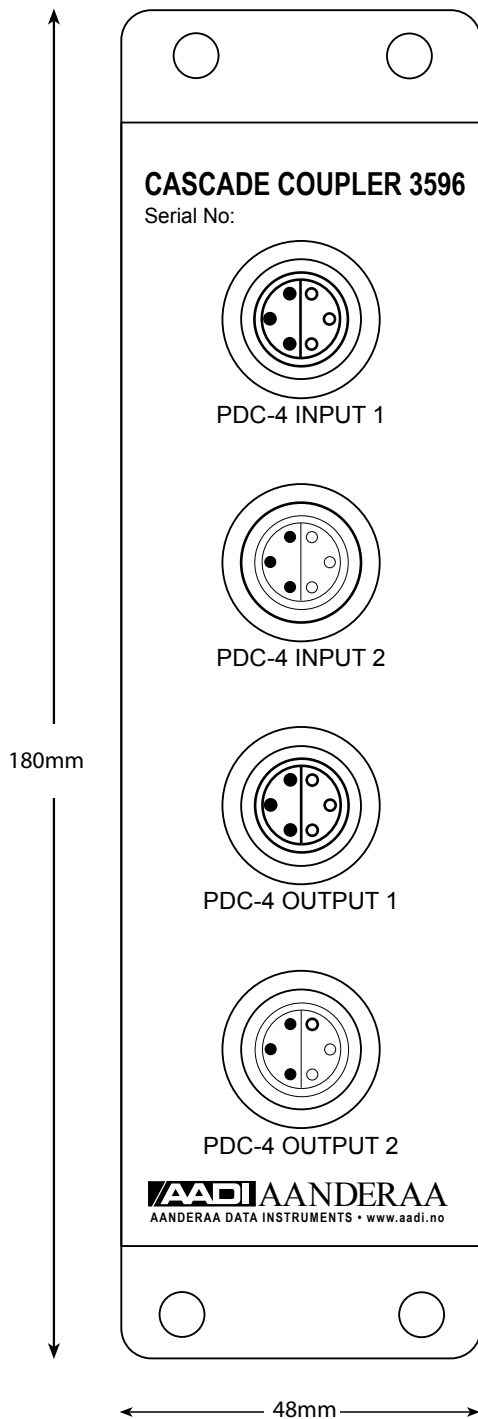
The PDC-4 signals from both stations are available on the PDC-4 output 1 and 2 as one data string.

First the data from the master station followed by the data from the slave station.

The sampling interval selected on the master station must be long enough to allow both stations to finish a measurement cycle before the next cycle is triggered. The sampling interval switch on the slave station must be set to REMOTE start.

# Specifications 3596

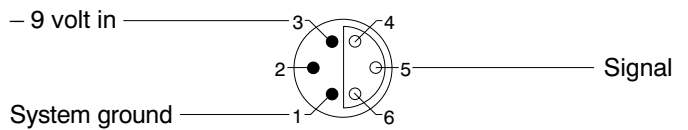
D341 - April 2010



<b>Input/Output Signals:</b>	Aanderaa PDC-4
<b>Operating Temperature:</b>	-40 to +50°C
<b>Electrical Connection:</b>	Receptacle 2843 mating Watertight Plug 2828L
<b>Material Housing:</b>	Aluminum 6061T6 anodized 20µ
<b>Net Weight:</b>	350 grams
<b>Packing: Cardboard Box:</b>	385 x 290 x 235mm
<b>Gross Weight:</b>	1.1 kilograms (add 0.7kg for 10m Connecting Cable 2842)

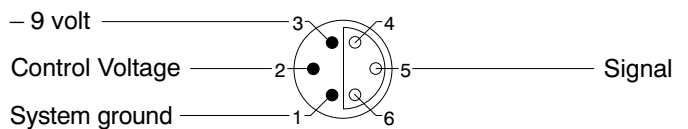
## PIN CONFIGURATION PDC-4 Inputs 1 and 2

Receptacle, exterior view; bushing = ○, pin = ●



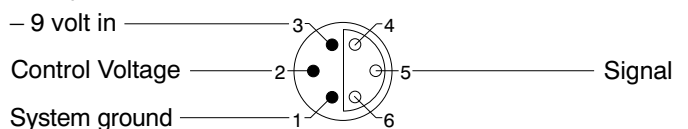
## PDC-4 Output 1

Receptacle, exterior view; bushing = ○, pin = ●



## PDC-4 Output 2

Receptacle, exterior view; bushing = ○, pin = ●



Latest version on internet

Post Box 34 SLÅTTHAUG  
5851 BERGEN, NORWAY  
TEL. +47 55 60 48 00  
FAX. +47 55 60 48 01

<http://www.aadi.no>  
e-mail: [info@aadi.no](mailto:info@aadi.no)

Representative's Stamp